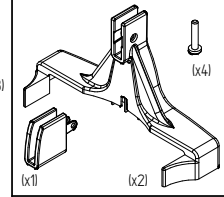
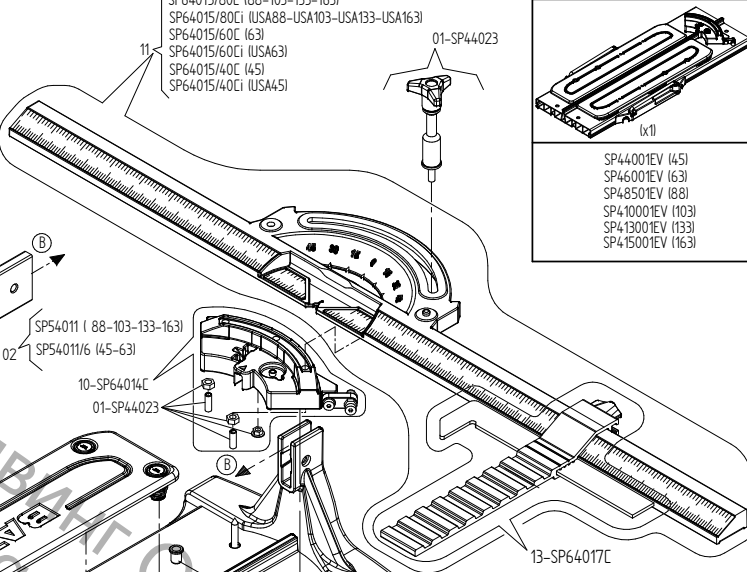
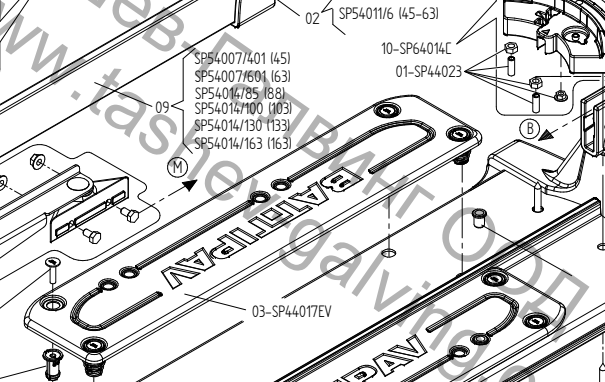
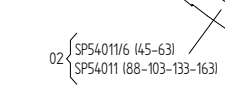
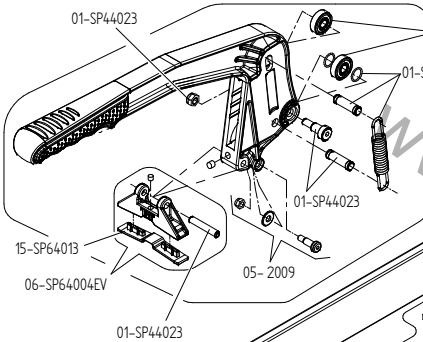
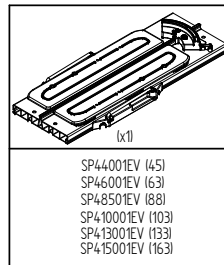


SP64015/80C (88-103-133-163)
SP64015/80C (USA88-USA103-USA133-USA163)
SP64015/60C (63)
SP64015/60C (USA63)
SP64015/40C (45)
SP64015/40C (USA45)



SP44001EV (45)
SP46001EV (63)
SP48501EV (88)
SP410001EV (103)
SP413001EV (133)
SP415001EV (163)

